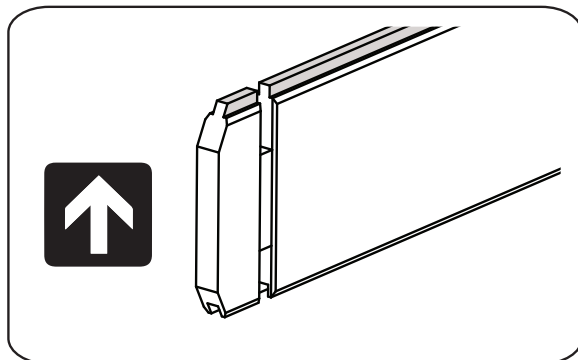




8x8 Raised Pond Assembly Instructions

8' x 8' (2.4m x 2.4m) Raised Pond	21"	26.5"	32"	37.5"	44"
8' /2.4m Tongue and Groove Board	12	16	20	24	28
8' /2.4m Flat Top and Groove Board	2	2	2	2	2
8' /2.4m Tongued Half Board	2	2	2	2	2
8' /2.4m Grooved Half Board	2	2	2	2	2
8' /2.4m Mitred Edge Board	4	4	4	4	4
PVC Liner	5mx4m	6mx5m	6mx5m	6mx5m	6mx5m
M4x80mm Screws	16	16	16	16	16

Pond to be assembled with all tongues facing upwards



Ensure boards are closed tight before starting next layer

