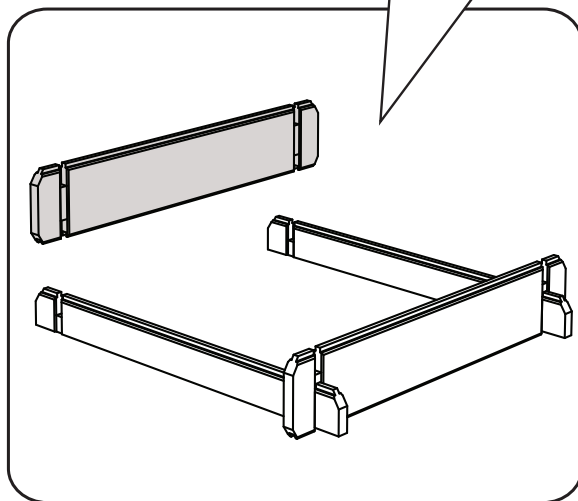
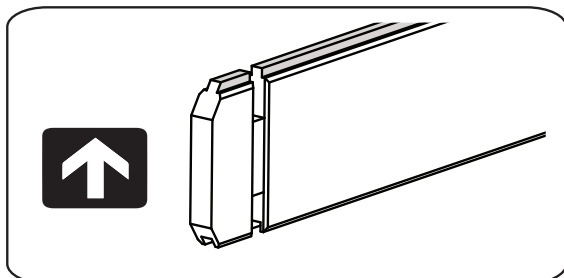


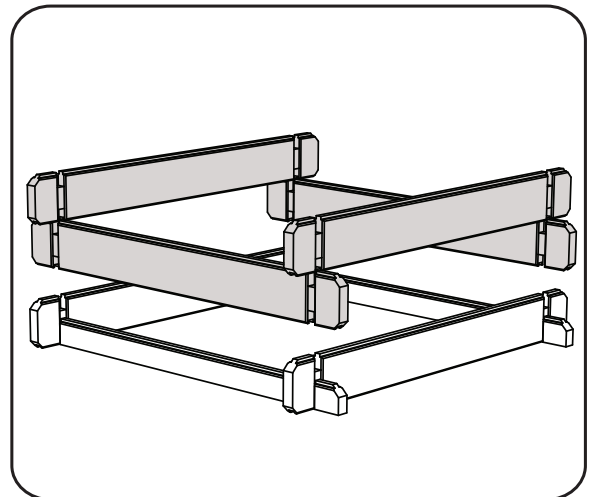
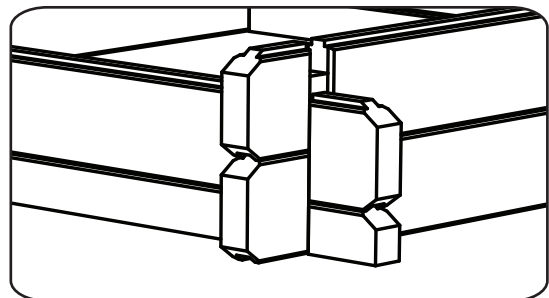
8x4 Raised Pond Assembly Instructions

8' x 4' (2.4m x 1.2m) Raised Pond	26.5"	32"	37.5"	44"
8' /2.4m Tongue and Groove Board	8	10	12	14
4' /1.2m Tongue and Groove Board	8	10	12	14
4' /1.2m Flat Top and Groove Board	2	2	2	2
8'/2.4m Tongued Half Board	2	2	2	2
8'/2.4m Grooved Half Board	2	2	2	2
8' /2.4m Mitred Edge Board	2	2	2	2
4'/1.2m Mitred Edge Board	2	2	2	2
PVC Liner	4mx4m	5mx4m	5mx4m	5mx4m
M4x80mm Screws	16	16	16	16

Pond to be assembled with all tongues facing upwards



Ensure boards are closed tight before starting next layer





QUICKCROP

