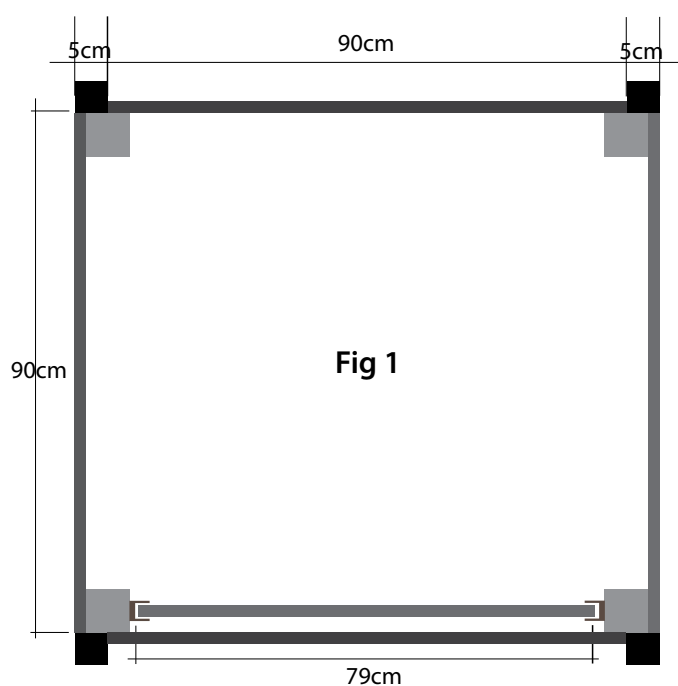


Quickcrop single bay compost bin assembly instructions.

Your composter consists of 1 single bay with removeable front slats for easy access when filling and emptying the bin.

The kit is delivered in component parts and is assembled using the screws provided. The unit can be assembled using a hand screwdriver but we recommend using an electric version to speed up the process.



Pack contents:

Boards

- 6no. 90cm 18cm x 2cm back boards.
- 12no. 90cm 18cm x 2cm side boards.
- 6no. 79cm 15cm x 1.3cm front boards.

Posts

- 4no. 120cm high 8cm square corner posts

Rails

- 2no. 90cm 8cm x 5cm support rails
- 4no. 120cm 5cm x 5cm corner finishing rails

Brackets

- 12 no. moulded plastic brackets.

Fixings

- 72 no. 5.0 x 60 screws
- 24 no. 4.0 x 30 screws
- 24 no. 5.0 x 80 screws

To begin place 2 x 120cm end posts down on a level surface approx 180 cm apart.



Fig 2

Mark the mid point along the length of each end post and fix a 120cm rail to each one aligning the edge of the rail with the mid point on the post. The rail is illustrated in black at the right hand of the illustration below. The rail should overlap the edge of the post.

When the rail is fixed to each end posts fix 6no. 90 cm boards between them making the top board flush with the top of the post and leaving a 3cm gap between each board.

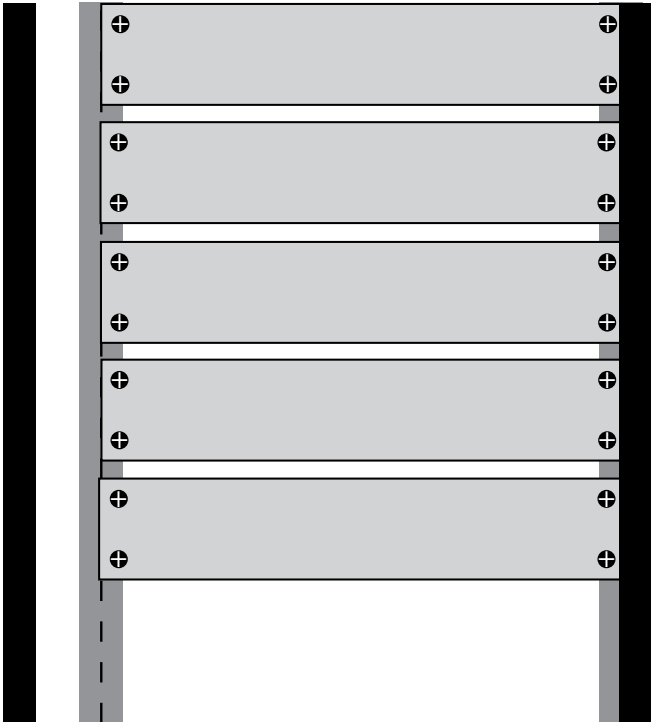


Fig 3

Take this finished section which forms the back of the composter and stand it upright, it will help if you have an assistant to hold for the next step.

Attach the side boards to the back as shown in the illustration below. The top board should be fixed flush to the top of the posts in the same manner as the back, leave the same 3cm gap.

Unlike the back the side boards are fixed to the edges of the posts rather than the mid point as shown in Fig 5. The boards will butt nicely against the corner rail (shown in black below) to keep your line straight.

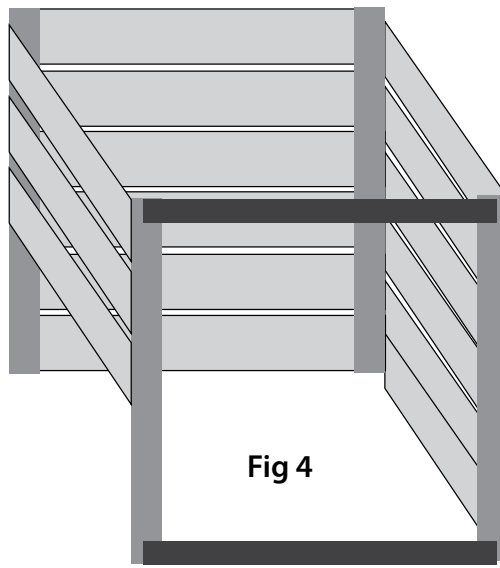


Fig 4

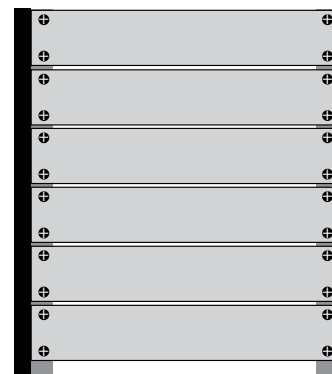


Fig 5

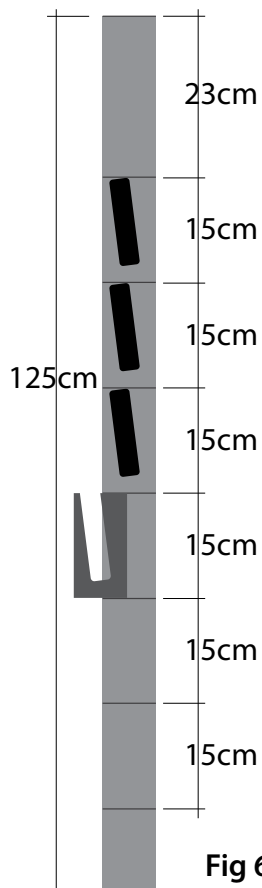


Fig 6

Once the sides are completed attach the 180cm rails to the front of the unit at the top and bottom of the corner posts using the long 5.0 x 80 screws. The rails are fixed to the mid point of the post.

Attach the plastic moulded brackets to the posts using the template provided. The brackets are positioned by marking the post as shown below starting 23cm from the top dividing the post into 15cm sections. There are 6 brackets per post.

Place brackets on the inner surface of the side posts.

Place the template with the arrow facing upwards and mark the position. Remove the template and screw the bracket to the marked position using the 4.0 x 30 screws provided.

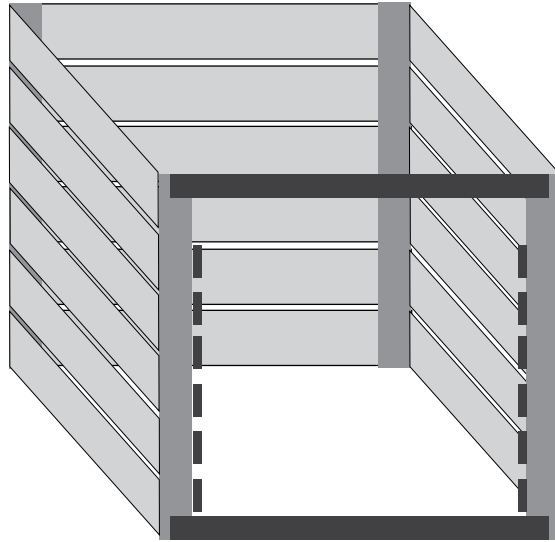


Fig 7

The structure of your compost bin is now complete. To finish add the 79cm front boards by slotting them in to the plastic brackets. The boards can be added or removed quickly and easily for access when filling and emptying the bin.

